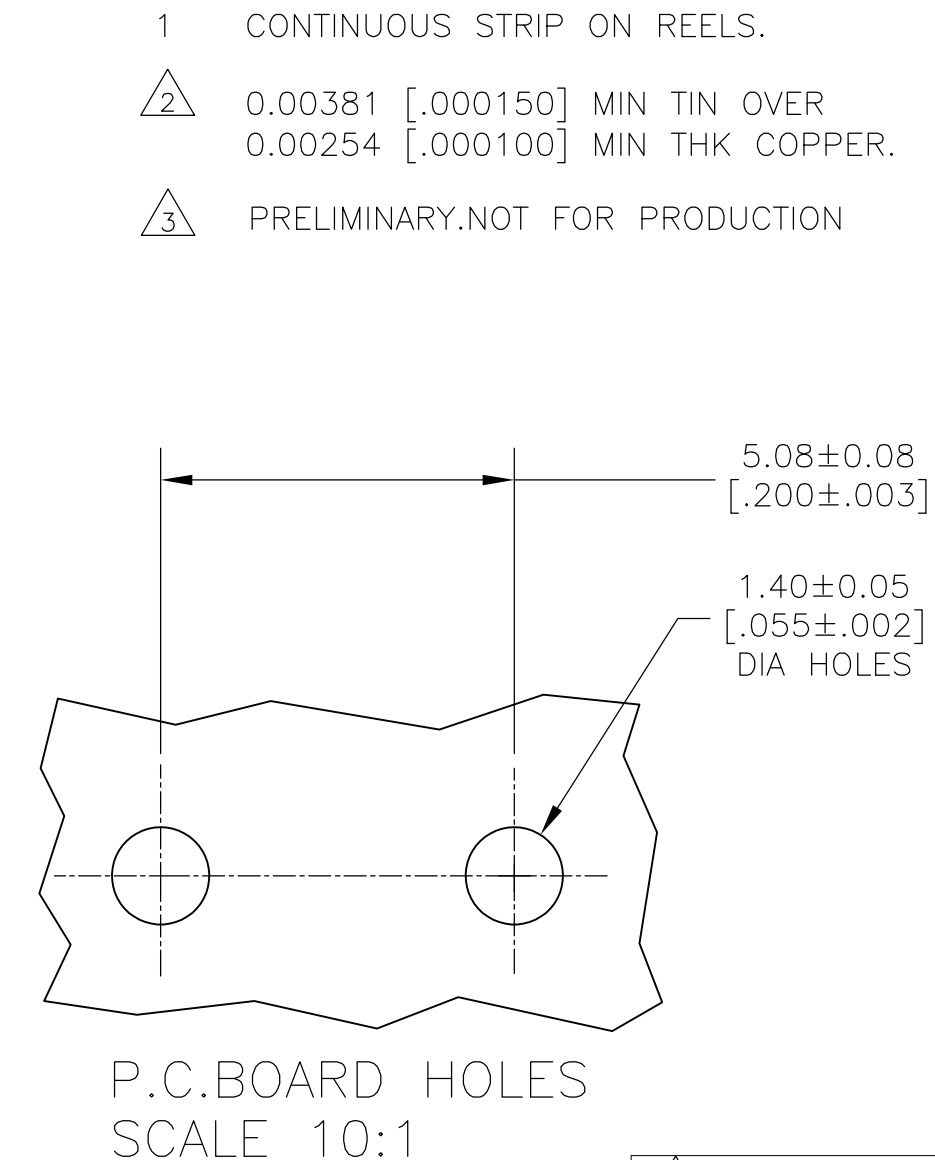
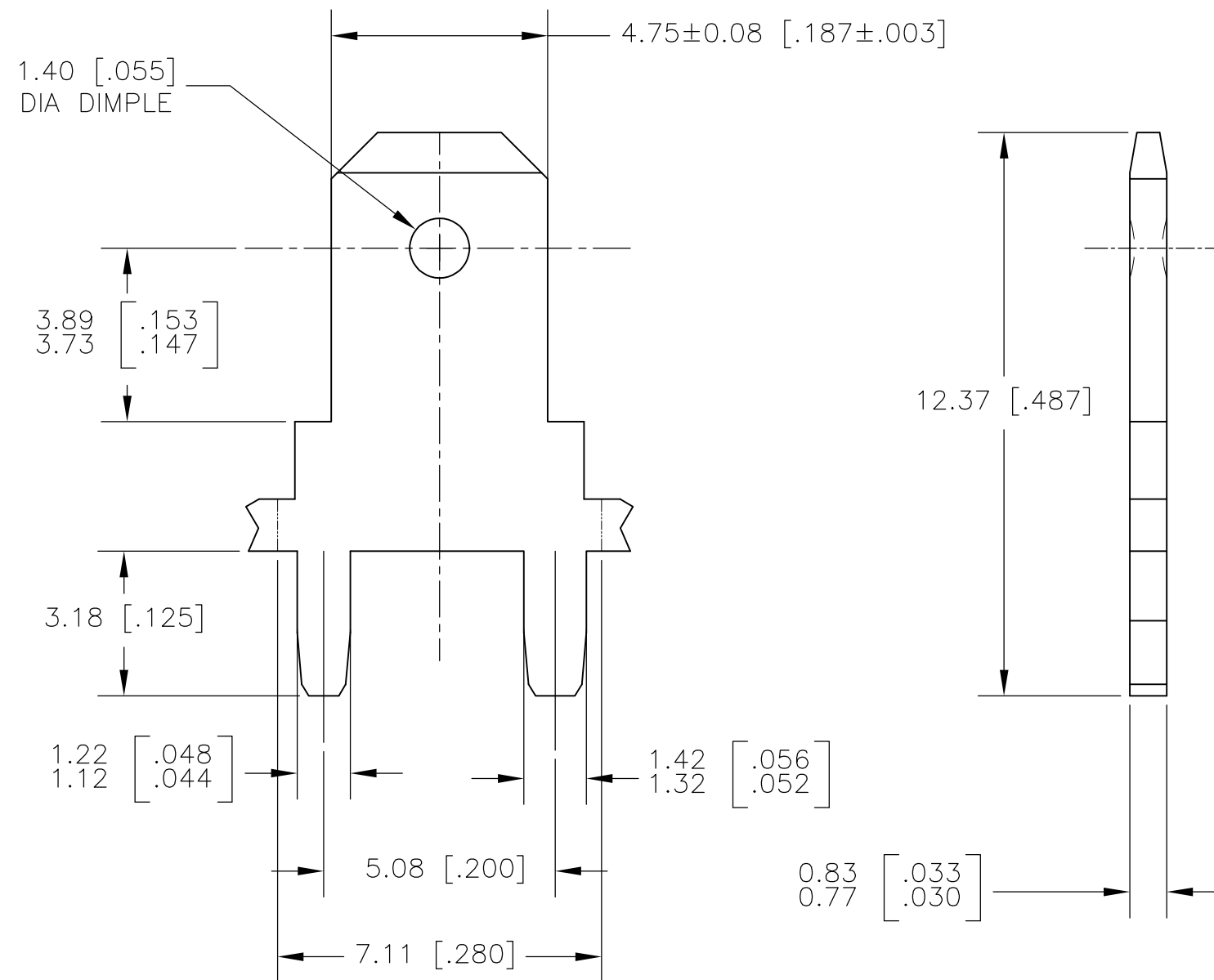


THIS DRAWING IS UNPUBLISHED. RELEASED FOR PUBLICATION - , - .
 © COPYRIGHT - By - ALL RIGHTS RESERVED.

LOC	DIST	REVISIONS			
P	LTR	DESCRIPTION	DATE	DWN	APVD
AF	50	E	REVISED PER ECR-13-001204	20JUN13	KH PD
		F	REVISED PER ECR-15-001674	02FEB15	PK TD



3	63525-2
	63525-1
	PART NUMBER

THIS DRAWING IS A CONTROLLED DOCUMENT.		DWN	JR RUTH	30NOV00	 TE Connectivity
DIMENSIONS: mm[INCHES]		CHK	MS FEHER	30NOV00	
TOLERANCES UNLESS OTHERWISE SPECIFIED:		APVD	G PORTA	30NOV00	
0 PLC ± - 1 PLC ± - 2 PLC ± 0.25 [.010] 3 PLC ± - 4 PLC ± - ANGLES ± -		PRODUCT SPEC	NAME		
MATERIAL	BRASS	FINISH	TIN OVER COPPER	2	TAB, FASTON, PC BOARD, 4.75 [.187] SERIES
		WEIGHT	-		SIZE A3 CAGE CODE 00779 DRAWING NO C-63525
CUSTOMER DRAWING				SCALE	8:1
				SHEET	1 OF 1
				REV	F